

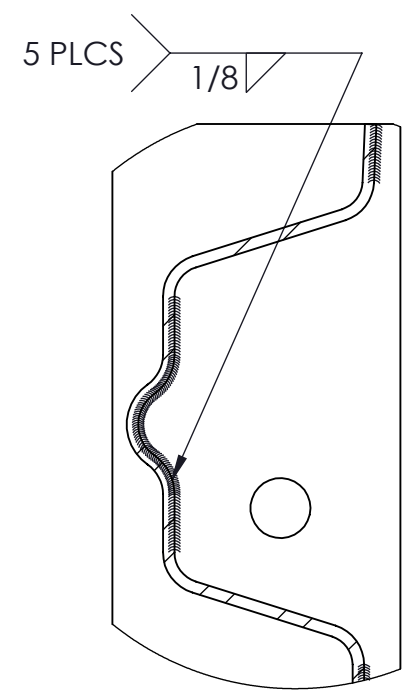
ITEM NO.	QTY.	PART NUMBER	DESCRIPTION
1	2	0301010022	REC-4, SAF-T-RAIL END CAP
2	1	R10-RF	FORMED R10 BLANK
3	1	0606020021	LABEL, RT-17 STR W/ADDRESS
4	1	0606020011	LABEL, RT-17 STR W/ADDRESS
5	1.02	0702023021	POWDER, SAFETY YELLOW

PAIN'T, SQ FT/LB	29.3	PAIN'T LB
SA, SQ IN	SA, SQ FT	
4284	29.75	1.02

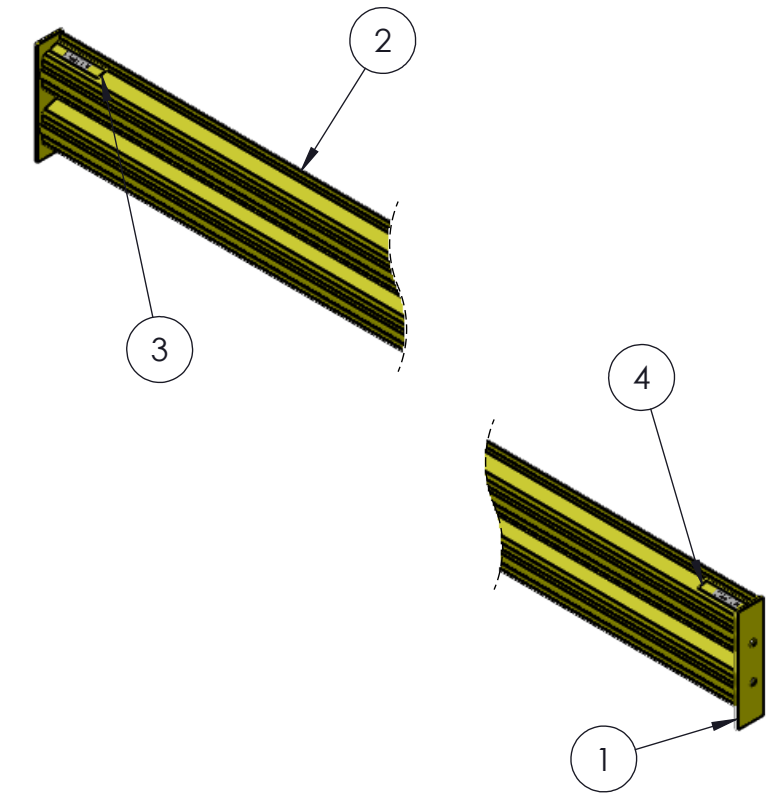
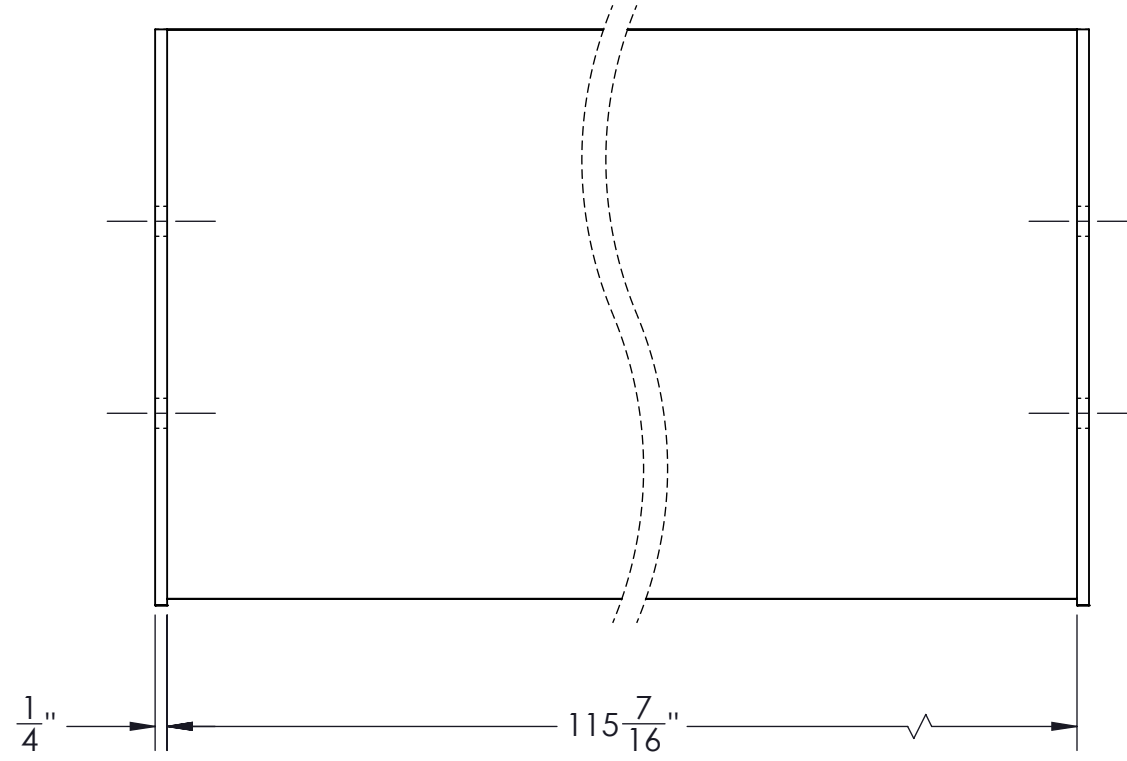
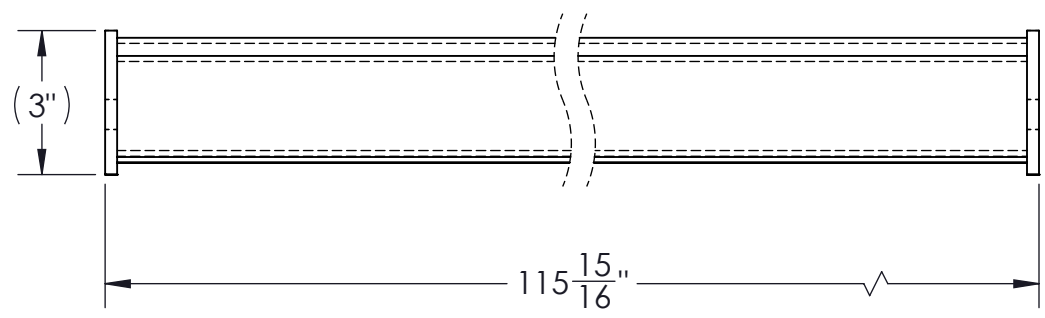
REVISIONS			
REV.	DESCRIPTION	DATE	APPROVED
A	PART TOLERANCES CHANGED TO FRACTIONS	11/2/2018	PRK

B

B

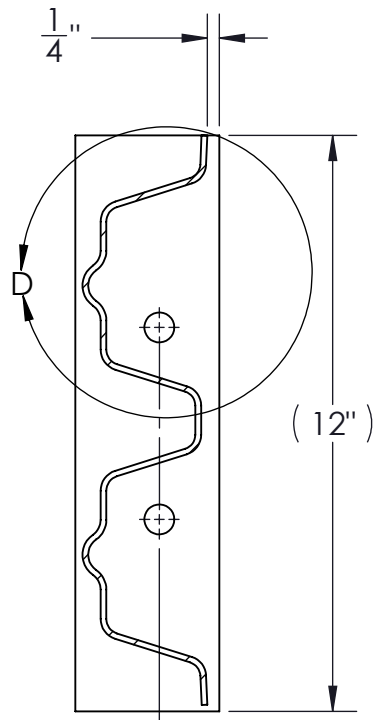


DETAIL D
SCALE 1 : 2



A

A



SECTION A-A



355 INDUSTRIAL DRIVE, HARRISON OHIO 45030

MATERIAL HRS	TOLERANCES: FRACTIONAL ± 1/16 ANGULAR: ± 1/2 DEGREE TWO PLACE DECIMAL ± 0.063	DIMENSIONS IN INCHES
FINISH PAINTED		
SCALE: 1:4	TITLE: 10 FT STANDARD SAF-T-RAIL	
REV A	SIZE A	DWG. NO. R10
NAME KULM	DATE 10/12/11	WEIGHT: 75.495 SHEET 1 OF 2
CHECKED KULM	DATE 10/12/11	
ENG APPR.		

4

3

2

1

4

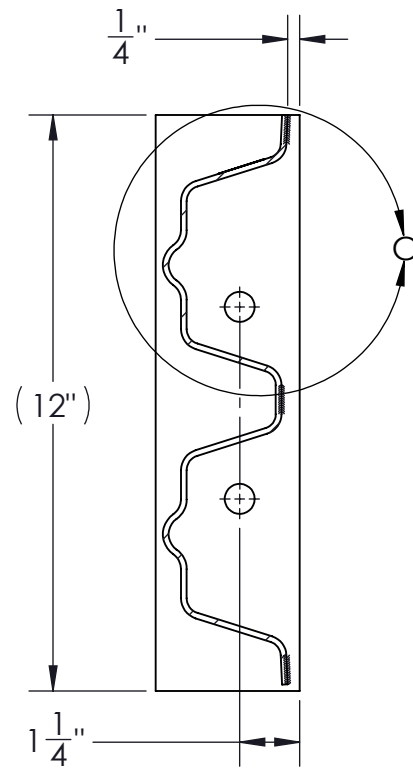
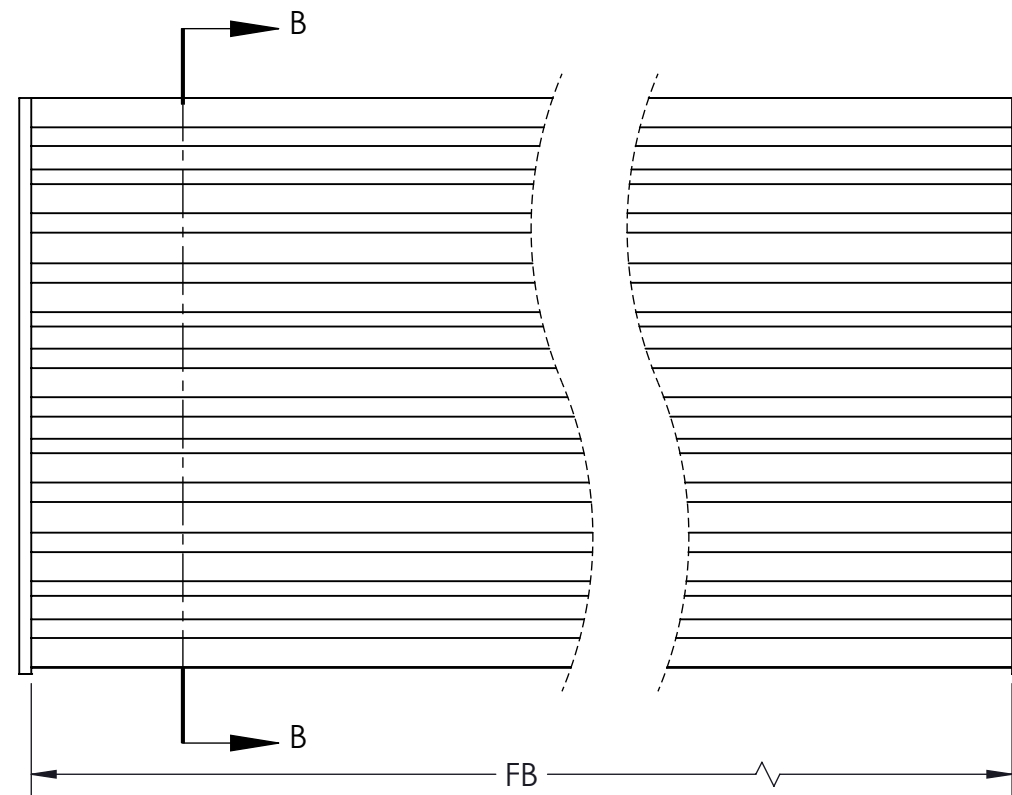
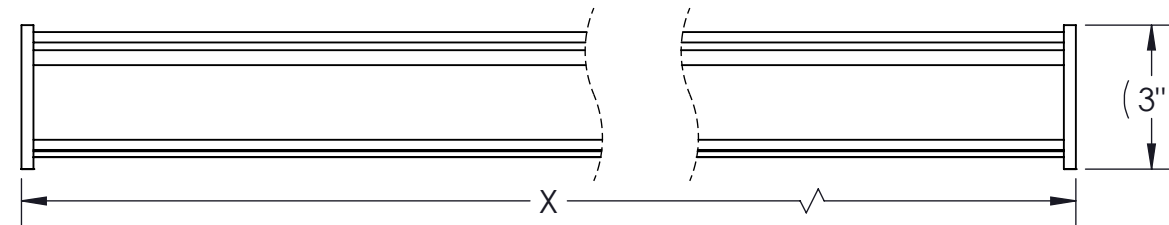
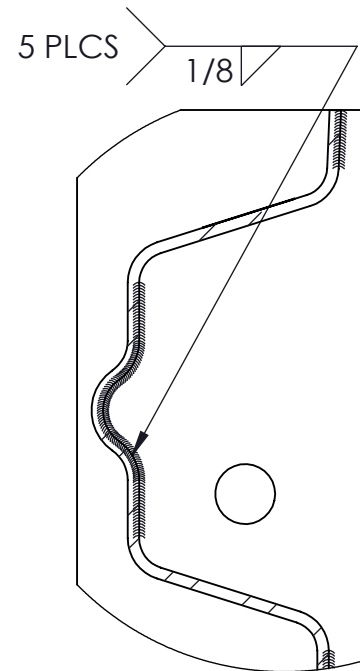
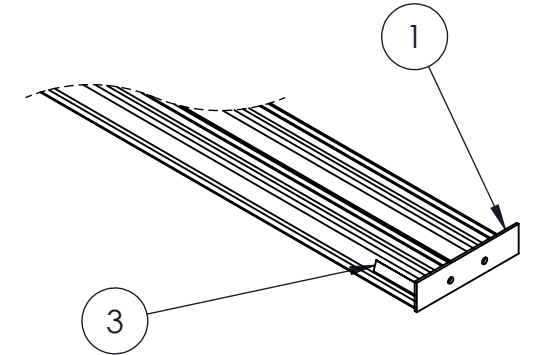
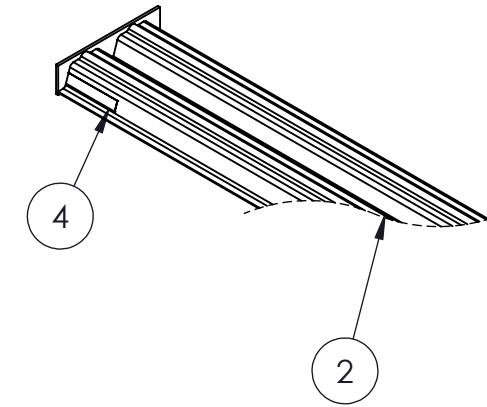
3

2

1

ITEM NO.	QTY.	PART NUMBER	DESCRIPTION
1	2	0301010022	REC-4, SAF-T-RAIL END CAP
2	1	R10-RF	FORMED R10 BLANK
3	1	0606020011	LABEL, RT-17 STR W/ADDRESS
4	1	0606020021	LABEL, RT-17 STR W/ADDRESS
5	1	0702023021	POWDER, SAFETY YELLOW

Y	REF SIZE	X	FB	PART NUMBER			
108	104	103.938	103.438	R	9		
109	105	104.938	104.438	R	10	S	104.44
110	106	105.938	105.438	R	10	S	105.44
111	107	106.938	106.438	R	10	S	106.44
112	108	107.938	107.438	R	10	S	107.44
113	109	108.938	108.438	R	10	S	108.44
114	110	109.938	109.438	R	10	S	109.44
115	111	110.938	110.438	R	10	S	110.44
116	112	111.938	111.438	R	10	S	111.44
117	113	112.938	112.438	R	10	S	112.44
118	114	113.938	113.438	R	10	S	113.44
119	115	114.938	114.438	R	10	S	114.44
120	116	115.938	115.438	R	10		



DETAIL C SCALE 1 : 2

THIS IS A SPECIAL ORDER ITEM

Y = POST CENTER TO CENTER DISTANCE
 X = WELDED RAIL LENGTH
 FB = FORMED BLANK SIZE, SEE ITEM 2

Y = X + 4



355 INDUSTRIAL DRIVE, HARRISON OHIO 45030

MATERIAL HRS	TOLERANCES: FRACTIONAL ± 1/16 ANGULAR: ± 1/2 DEGREE TWO PLACE DECIMAL ± 0.063	DIMENSIONS IN INCHES
FINISH PAINTED		
SCALE: 1:4	TITLE:	
REV A	SIZE A	10 FT SPECIAL SAF-T-RAIL
NAME KULM	DATE 10/12/11	DWG. NO.
CHECKED KULM	10/12/11	R10 S
ENG APPR.		WEIGHT: 38.906 SHEET 2 OF 2

4

3

2

1

B

B

A

A